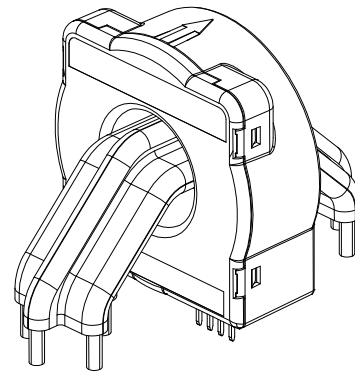


For the electronic measurement of current: DC, AC, pulsed..., with galvanic isolation between the primary and the secondary circuit.



## Features

- Closed loop (compensated) current transducer
- Voltage output
- Single supply voltage
- Isolated plastic case material recognized according to UL 94-V0
- PCB mounting
- Four integrated primary conductors.

## Special feature

- No retention pin.

## Advantages

- High accuracy
- Very low offset drift over temperature
- Wide aperture (20.1 mm)
- High overload capability
- High isolation capability
- Reference pin with two modes, Ref In and Ref Out
- Degauss and test functions
- Possibility to add up to four primary wires (diam. 4.2 mm max) in addition to the already integrated primary conductors.

## Applications

- Residual current measurement
- Leakage current measurement in transformerless PV inverters
- First human contact protection of PV arrays
- Failure detection in power sources
- Symmetrical fault detection (e.g. after motor inverter)
- Leakage current detection in stacked DC sources
- Single phase or three phase nominal current measurement up to  $\pm 30 \text{ A}$  per wire (DC or AC).

## Standards

- EN 50178: 1997
- IEC 61010-1: 2010
- UL 508: 2004.

## Application Domain

- Industrial
- Suitable to fulfil VDE 0126-1-1 and UL 1741.

**Absolute maximum ratings**

Parameter	Symbol	Unit	Value
Supply voltage	$V_C$	V	7
Primary conductor temperature		°C	110
Impulse overload (100 $\mu$ s, 500 A/ $\mu$ s)		A	3300

Stresses above these ratings may cause permanent damage. Exposure to absolute maximum ratings for extended periods may degrade reliability.

**Isolation characteristics**

Parameter	Symbol	Unit	Value	Comment
RMS voltage for AC isolation test 50/60Hz/1 min	$V_d$	kV	6	
Impulse withstand voltage 1.2/50 $\mu$ s	$\hat{V}_w$	kV	11.2	
Partial discharge extinction voltage @ 10 pC (rms)	$V_e$	kV	2.475	
<b>Transducer:</b>				
Clearance (pri. - pri.)	<b>dCl</b>	mm	6.7	Shortest distance through air
Creepage distance (pri. - pri.)	<b>dCp</b>	mm	6.7	Shortest path along device body
Clearance (pri. - sec.)	<b>dCl</b>	mm	13.5	Shortest distance through air
Creepage distance (pri. - sec.)	<b>dCp</b>	mm	33.2	Shortest path along device body
<b>When mounted on a PCB</b> (with recommended hole and pad diameters, see paragraph "PCB footprint"):				
Clearance (pri. - pri.)	<b>dCl</b>	mm	5.6	Shortest distance through air
Creepage distance (pri. - pri.)	<b>dCp</b>	mm	5.6	Shortest path along device body
Clearance (pri. - sec.)	<b>dCl</b>	mm	12.5	Shortest distance through air
Creepage distance (pri. - sec.)	<b>dCp</b>	mm	12.5	Shortest path along device body
Comparative tracking index	<b>CTI</b>	V	600	
Application example	-	-	1000 V CAT III PD3	Basic isolation, non uniform field according to EN 50178
Application example	-	-	1500 V CAT III PD2	Basic isolation, non uniform field according to EN 50178
According to UL 508: primary potential involved in Volt rms AC or DC	-	V	1000	For use in a pollution degree 3 environment
Primary conductor shall be connected after an overvoltage device or system evaluated by standard UL 1449.				

**Environmental and mechanical characteristics**

Parameter	Symbol	Unit	Min	Typ	Max	Comment
Ambient operating temperature	$T_A$	°C	-40		105	
Ambient storage temperature	$T_S$	°C	-50		105	
Mass	$m$	g		55		

**Electrical data**

At  $T_A = 25^\circ\text{C}$ ,  $V_C = +5\text{ V}$ , output voltage referred to  $V_{REF}$  unless otherwise noted (see Min., Max., Typ. definition paragraph in page 8).

Parameter	Symbol	Unit	Min	Typ	Max	Comment
Primary nominal residual current rms	$I_{PRN}$	mA		600		
Primary residual current, measuring range	$I_{PRM}$	mA	-850		850	
Supply voltage	$V_C$	V	4.75	5	5.25	
Current consumption	$I_C$	mA	16	17.5	21.6	+ $I_p$ (mA)/ $N_s$ With $N_s = 1000$ turns - $40^\circ\text{C} \dots 105^\circ\text{C}$
Reference voltage @ $I_p = 0$	$V_{REF}$	V	2.495	2.5	2.505	Internal reference
External reference voltage	$V_{REF}$	V	2.3		4	Internal resistance of $V_{REF}$ input = $499\ \Omega$ Note 1
Electrical offset current referred to primary (Note 2)	$I_{OE}$	mA	-24	4.2	24	
Temperature coefficient of $V_{OE}$ @ $I_p = 0$	$TCV_{OE}$	ppm/K		60	520	ppm/K of 2.5 V - $40^\circ\text{C} \dots 105^\circ\text{C}$
Theoretical sensitivity	$G_{th}$	V/A		2.476		
Sensitivity error (Note 2)	$\epsilon_G$	%	-0.7	0.3	0.7	$R_L > 500\ \text{k}\Omega$
Temperature coefficient of $G$	$TCG$	ppm/K			100	- $40^\circ\text{C} \dots 105^\circ\text{C}$
Linearity error	$\epsilon_L$	% of $I_{PRM}$		0.4	1.3	
Reaction time @ 10 % of $I_{PRN}$	$t_{ta}$	$\mu\text{s}$		5		$R_L > 500\ \text{k}\Omega$ , $di/dt > 5\ \text{A}/\mu\text{s}$
Response time @ 90 % of $I_{PRN}$	$t_r$	$\mu\text{s}$		30		$R_L > 500\ \text{k}\Omega$ , $di/dt > 5\ \text{A}/\mu\text{s}$
Frequency bandwidth (- 1 dB)	$BW$	kHz		9.5		$R_L > 500\ \text{k}\Omega$
Output voltage noise (1 Hz .. 10 kHz)	$V_{no}$	mV rms		4		$R_L > 500\ \text{k}\Omega$
Magnetic offset current referred to primary ( $1000 \times I_{PRN}$ )	$I_{OM}$	mA		17		
Accuracy (Note 3)	$X$	%			1.5	$= (\epsilon_G^2 + \epsilon_L^2)^{1/2}$
Output voltage referred to GND (during Degauss cycle)		V		0.3	0.5	Note 1
Output voltage referred to $V_{REF}$ (Test current)		V	0.4	0.75	1.1	Note 1

**Notes:** 1) See "Application information" section.

2) Only with a primary nominal residual current, see paragraph "Primary nominal residual current and primary nominal current".

3) Accuracy @  $T_A$  and  $I_p$ :  $X_{TA} = (X^2 + (TCG \cdot 100 \cdot (T_A - 25))^2 + (TCV_{OE} \cdot 2.5 \cdot (T_A - 25) / G_{th} \cdot 100 / I_p)^2)^{1/2}$

### Typical performance characteristics

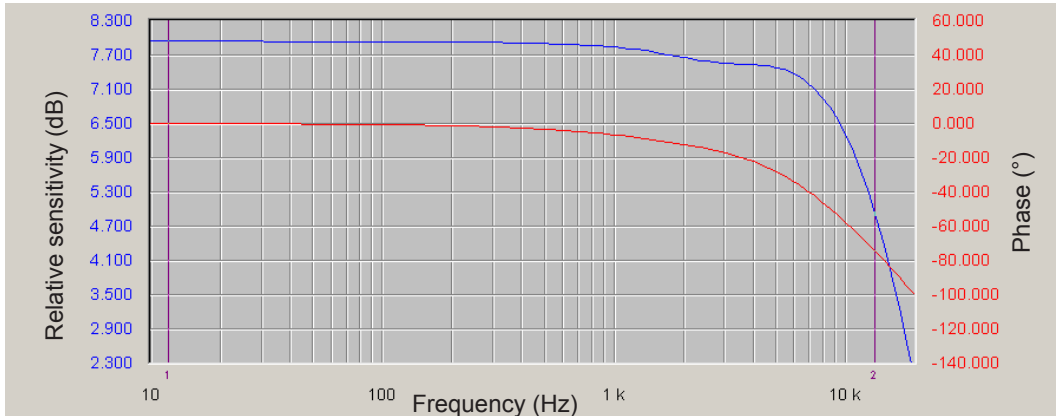


Figure 6: Frequency response

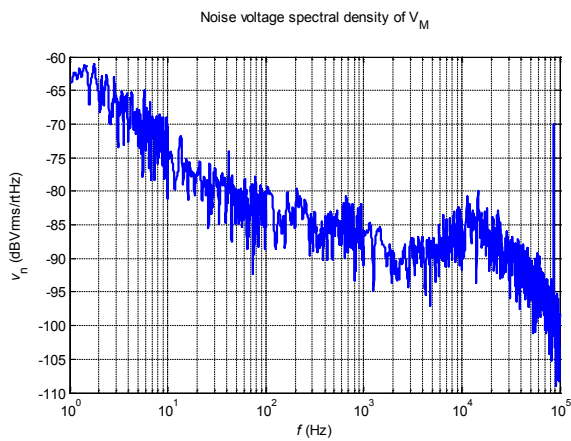


Figure 7: Output noise, spectral density

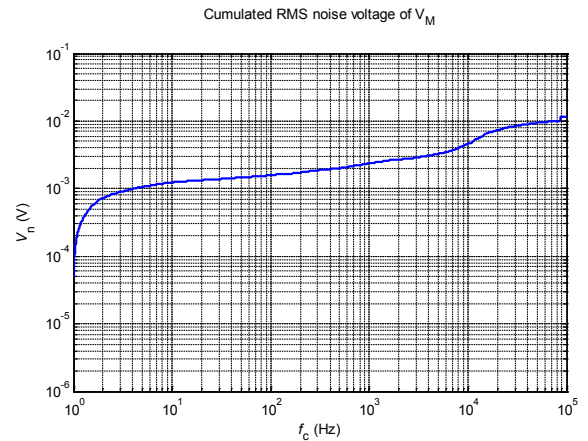


Figure 8: Output noise, cumulated rms

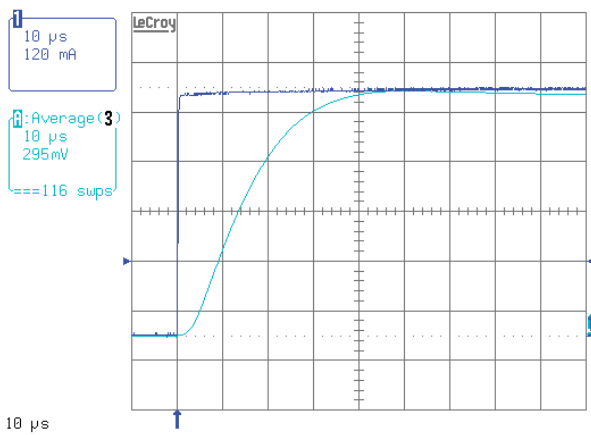


Figure 9: Typical step response

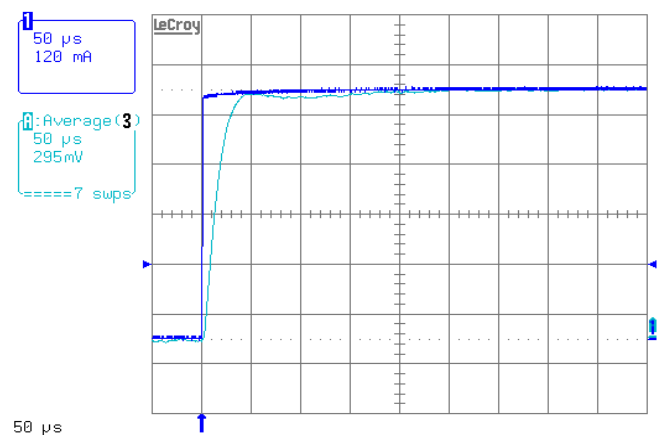


Figure 10: Typical step response

## Application information

### Filtering, decoupling CTSR transducer

#### Supply voltage $V_c$ (5 V):

The CTSR transducers have internal decoupling capacitors, but in the case of a power supply track on the application PCB having a high impedance, it is advised to provide local decoupling, 100 nF or more, located close to the transducer.

#### Reference $V_{REF}$ :

Ripple present on the  $V_{REF}$  pin can be filtered with a low value of capacitance because of the internal 499 ohm series resistance. The CTSR transducers have an internal capacitor of 22 nF between  $V_{REF}$  pin and Gnd pin and the maximum filter capacitance value which could be added is 1  $\mu$ F. Adding a larger decoupling capacitor will increase the activation delay of degauss.

#### Output $V_{OUT}$ :

The CTSR transducers have an internal low pass filter 470 ohm/22 nF; if a decoupling capacitor is added on  $V_{OUT}$  pin, the bandwidth and the response time will be affected. In case of short circuit, the transducer CTSR can source or sink up to a maximum of 10 mA on its output  $V_{OUT}$ .

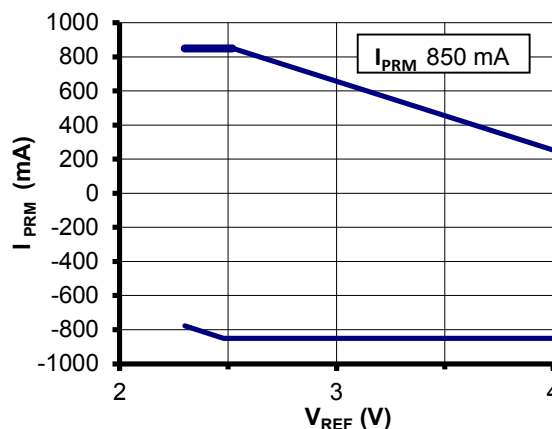
### Using an external reference voltage

If the  $V_{REF}$  pin of the transducer is not used it could be either left unconnected or filtered according to the previous paragraph "Reference  $V_{REF}$ ".

The  $V_{REF}$  pin has two modes Ref Out and Ref In:

- In the Ref Out mode the 2.5 V internal precision reference is used by the transducer as the reference point for bipolar measurements; this internal reference is connected to the  $V_{REF}$  pin of the transducer through a 499 ohms resistor. It tolerates sink or source currents up to  $\pm 5$  mA, but the 499 ohms resistor prevents this current to exceed these limits.
- In the Ref In mode, an external reference voltage is connected to the  $V_{REF}$  pin; this voltage is specified in the range 2.3 to 4 V and is directly used by the transducer as the reference point for measurements. The external reference voltage  $V_{REF}$  must be able:
  - o either to source a typical current of  $\frac{V_{ref}-2.5}{499}$ , the maximum value will be 3 mA when  $V_{REF} = 4$  V.
  - o or to sink a typical current of  $\frac{2.5-V_{ref}}{499}$ , the maximum value will be 0.4 mA when  $V_{REF} = 2.3$  V.

The following graphs show how the measuring range of the transducer depends on the external reference voltage value  $V_{REF}$  ( $V_c = 5$  V).



Upper limit: $I_P = 850$ mA	$(V_{REF} = 2.3..2.52$ V)
Upper limit: $I_P = -403.88 \cdot V_{REF} + 1867.93$	$(V_{REF} = 2.52..4$ V)
Lower limit: $I_P = -403.88 \cdot V_{REF} + 151.45$	$(V_{REF} = 2.3..2.48$ V)
Lower limit: $I_P = -850$ mA	$(V_{REF} = 2.48..4$ V)

## Primary nominal residual current and primary nominal current

The primary nominal residual current is the sum of the instantaneous values of all currents flowing through the aperture of the transducer.

The primary nominal current is the current flowing through any conductor placed into the aperture of the transducer.

The presence of a primary nominal current DC or AC leads to an additional uncertainty.

For example, with a primary nominal current of 30 A the uncertainty referred to primary is typical 4.3 mA.

## CTSR transducer in Test mode

When the **Vref** pin is forced at a Low level voltage between 0 and 1 V and is maintained at this level, the output voltage **Vout** of CTSR transducer is fixed at  $1.2\text{ V} \pm 0.5\text{ V}$ , as if it measured a primary test current.

The activation time of test mode is min 30 ms. The CTSR transducer can be maintained in test mode as long as needed for checking that it is fully operating.

## CTSR transducer in Degauss mode

The CTSR transducers go in degauss mode automatically at each power on or on demand by using the **Vref** pin.

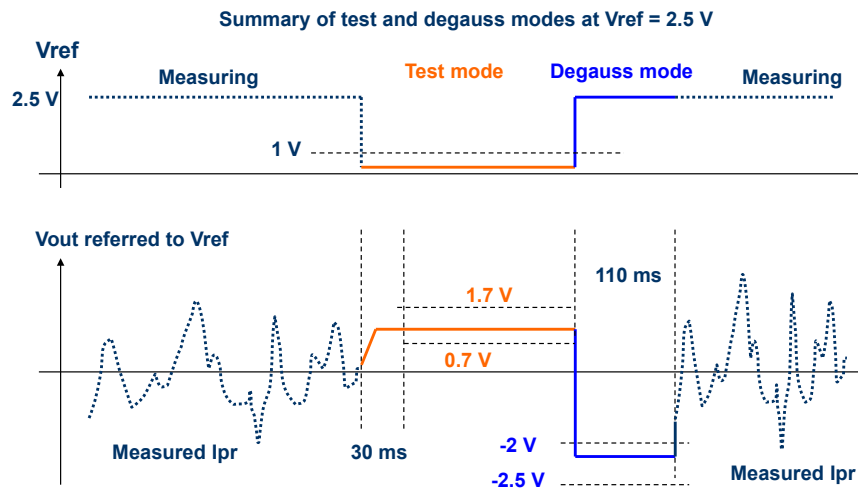
At power on:

A degauss is automatically generated at each power on of the CTSR transducer; during degaussing the output voltage **Vout** is maintained at 0.3 V typ. (max 0.5 V). After c.a. 110 ms, the output voltage **Vout** is released and takes the normal operation level in relation with the measured primary current.

Using **Vref** pin:

When the pin **Vref** is released from the Low level voltage defined in the Test mode above, there is a rising edge on **Vref** which generates an automatic degauss.

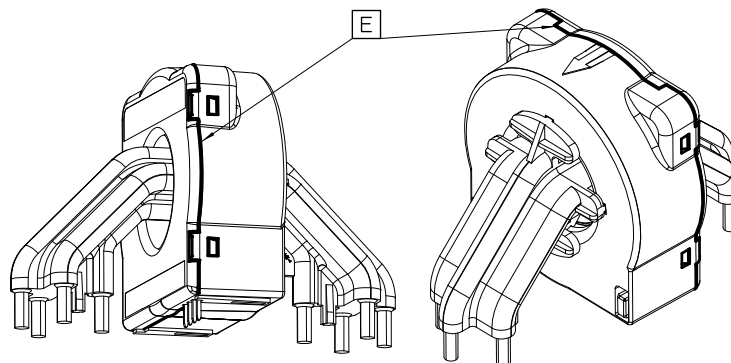
The activation of degauss takes typically 40  $\mu\text{s}$  after releasing **Vref** pin, then degauss lasts typically 110 ms.



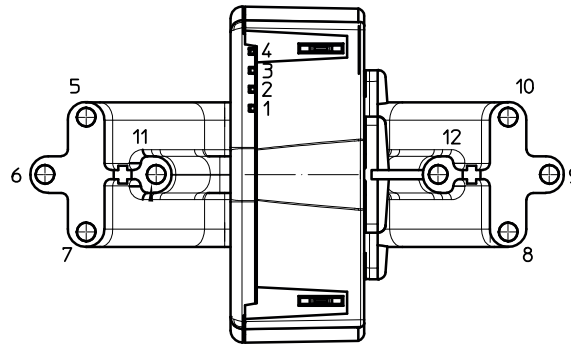
## Isolation around the CTSR transducer housing

Due to the joint between the case and the cover of the CTSR transducer, there is some isolation distance to respect when primary conductors pass around the CTSR housing.

The figure below shows the joint and the apertures where the clearance between the secondary part inside the CTSR transducer and the surface of the housing is 3 mm (label E).



### Integrated primary conductors

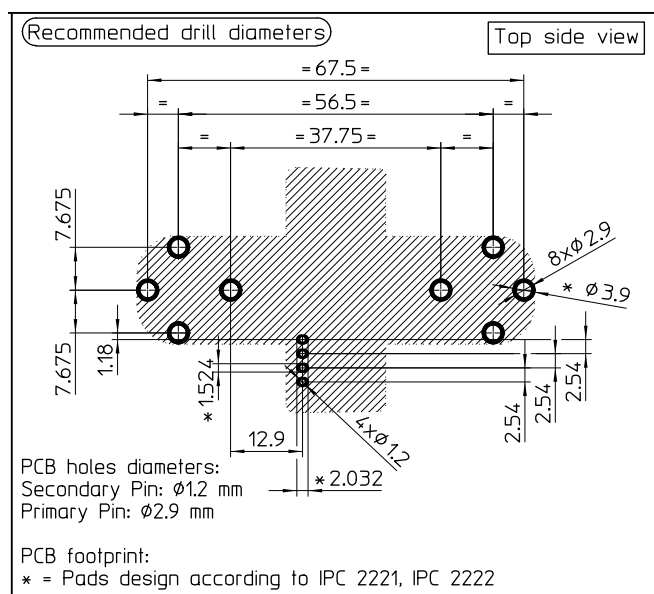


The four integrated primary conductors have a diameter of 2.5 mm. The three conductors 5-10, 6-9 and 7-8 could be used as the lines in a three phase system; the conductor 11-12 could be used either as the neutral in a three phase system or as a test current conductor.

Primary conductor	Typical primary conductor resistance $R_p$ (mOhm)
5-10, 7-8	0.32
6-9	0.36
11-12	0.26

The maximum primary current per conductor must comply with the primary conductor temperature specified in paragraph "Absolute maximum ratings".

### PCB Footprint



## Assembly on PCB

- Recommended PCB hole diameter      1.2 mm for secondary pin  
2.9 mm for primary pin
- Maximum PCB thickness                2.4 mm
- Wave soldering profile                maximum 260 °C, 10 s  
No clean process only

Any primary conductor must be placed in the PCB at the requested isolation distance regarding the secondary side (see also paragraph “Isolation around the CTSR transducer housing”).

## Min., Max., Typ. definition

Some parameters have a statistically normal distribution. The typical value published in the LEM datasheet is the mean or average value of the distribution. The typical value listed is the 1 sigma value. This means that in 68 % of the devices tested, the parameters is found to be  $\pm$  the typical value or better. LEM currently uses  $\pm$  3 sigma (99.73 %) to define minimum and maximum values. Usually, typical values are set when the part is characterized and never changes

## Safety

This transducer must be used in limited-energy secondary circuits according to IEC 61010-1.



This transducer must be used in electric/electronic equipment with respect to applicable standards and safety requirements in accordance with the manufacturer’s operating instructions.



Caution, risk of electrical shock.

When operating the transducer, certain parts of the module can carry hazardous voltage (e.g. primary bus bar, power supply). Ignoring this warning can lead to injury and/or cause serious damage.

This transducer is a build-in device, whose conducting parts must be inaccessible after installation.

A protective housing or additional shield could be used.

Main supply must be able to be disconnected.



**Dimensions** (in mm, general tolerance  $\pm 0.3$  mm)
