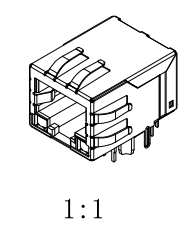
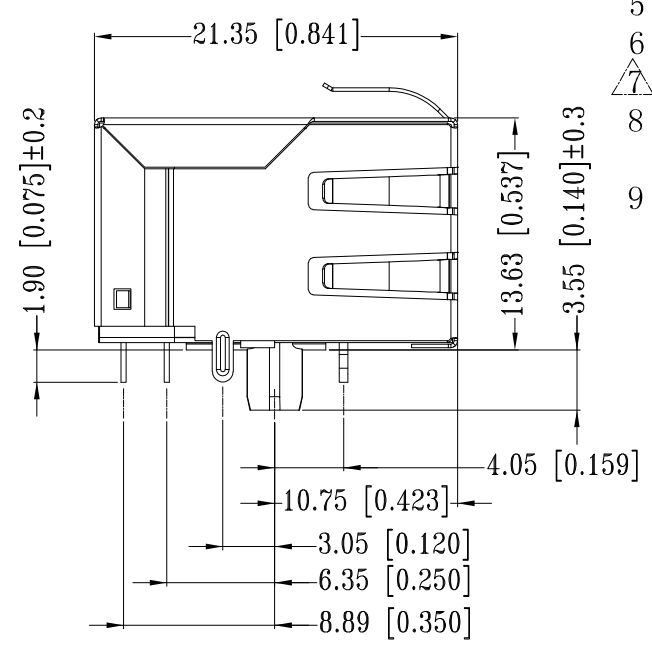
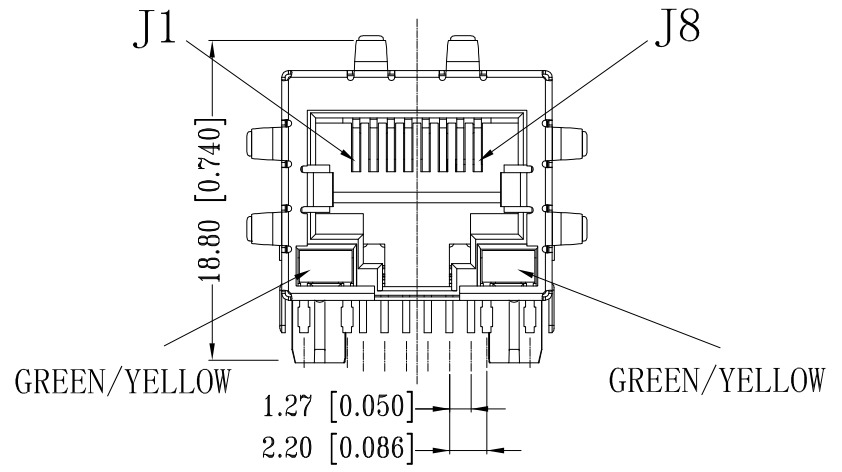
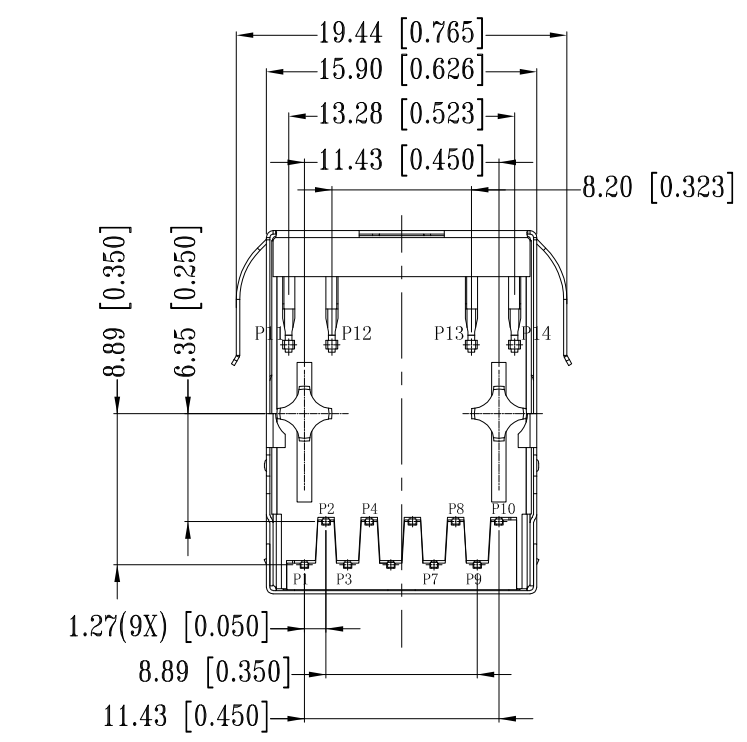


THIS DRAWING IS UNPUBLISHED. RELEASED FOR PUBLICATION - , 2017.
 © COPYRIGHT 2013 By TE CONNECTIVITY ALL RIGHTS RESERVED.

REVISIONS					
P	LTR	DESCRIPTION	DATE	DWN	APVD
	A1	NEW DRAWING	28DEC2016	GCM	MSZ



- 1 CONNECTOR MATERIAL:
 HOUSING: LCP BLACK UL94 V-0
 INSERT: LCP BLACK UL94 V-0
 SHIELD: BRASS
 SHIELD PLATING: NICKEL
 CONTACT: COPPER ALLOY
 CONTACT PLATING: SELECTIVE GOLD, MIN. 0.76µm (30µinch) IN CONTACT AREA
 OVER MIN. 1.27µm (50µinch) NICKEL
 SOLDER PIN PLATING: 3.05µm (120µinch) TIN OVER 1.02µm (40µinch) NICKEL OVER ALL
 SHIELDING PIN PLATING: NICKEL
- 2 PIN NOT ELECTRICALLY CONNECTED MAYBE OMITTED SEE ELECTRICAL CIRCUIT DIAGRAM FOR OMITTED PINS
- 3 RJ45 CAVITIES CONFORM TO FCC RULES AND REGULATION PART 68
- 4 THE PART IS RECOMMENDED FOR REFLOW SOLDERING PROCESS PEAK SOLDERING: TEMPERATURE MAX. +260° C, MAX. 10s
- 5 OPERATING TEMPERATURE: T = -40° C TO +85° C
- 6 STORAGE TEMPERATURE: T = -40° C TO +85° C
- 7 UNLESS OTHERWISE SPECIFIED, SEE TABLE FOR ALL DIMENSIONS TOLERANCES
- 8 JACK CONFIGURATION: 1 x 1
 TAB DIRECTION: DOWN
- 9 PACKAGING: TRAY ACCORDING TO PACKAGING SPECIFICATION 107-18116

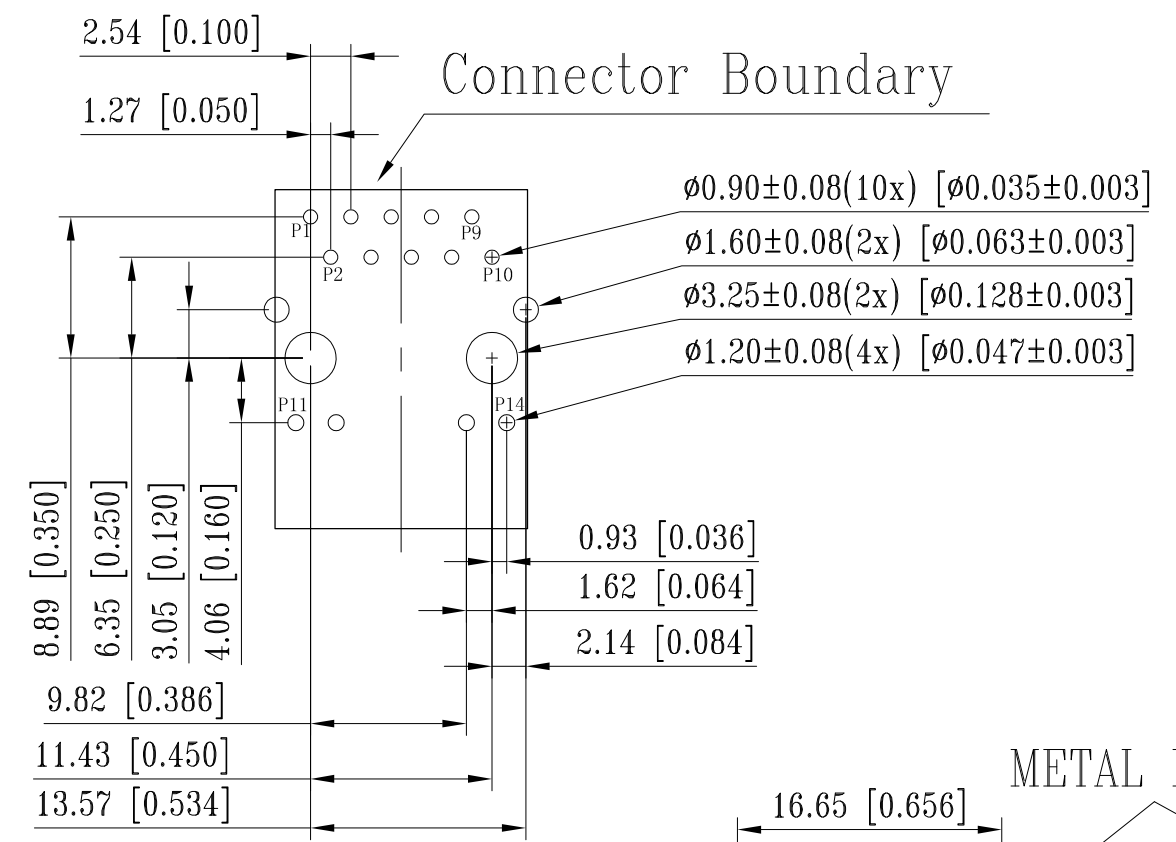
TABLE OF TOLERANCE (mm)	
RANGE	TOLERANCE
0-10	±0.15
>10-40	±0.25
>40-70	±0.30
>70	±0.40

THIS DRAWING IS A CONTROLLED DOCUMENT.		DWN 27AUG2016 GANESH C M	TE Connectivity			
DIMENSIONS: mm [INCHES]		CHK 27AUG2016 FRANZ MUELLER				
TOLERANCES UNLESS OTHERWISE SPECIFIED:		APVD 27AUG2016 MARTIN SZELAG	NAME RJ45 JACK INT.MAG. 1Gb LED 1x1			
0 PLC ± - 1 PLC ± - 2 PLC ± - 3 PLC ± - 4 PLC ± - ANGLES ± -		PRODUCT SPEC 108-94552	-			
		APPLICATION SPEC 114-94447	-			
MATERIAL 		WEIGHT	SIZE A3	CAGE CODE 00779	DRAWING NO C-6-2301994-2	RESTRICTED TO -
CUSTOMER DRAWING			SCALE 3:1	SHEET 1 OF 3	REV A1	

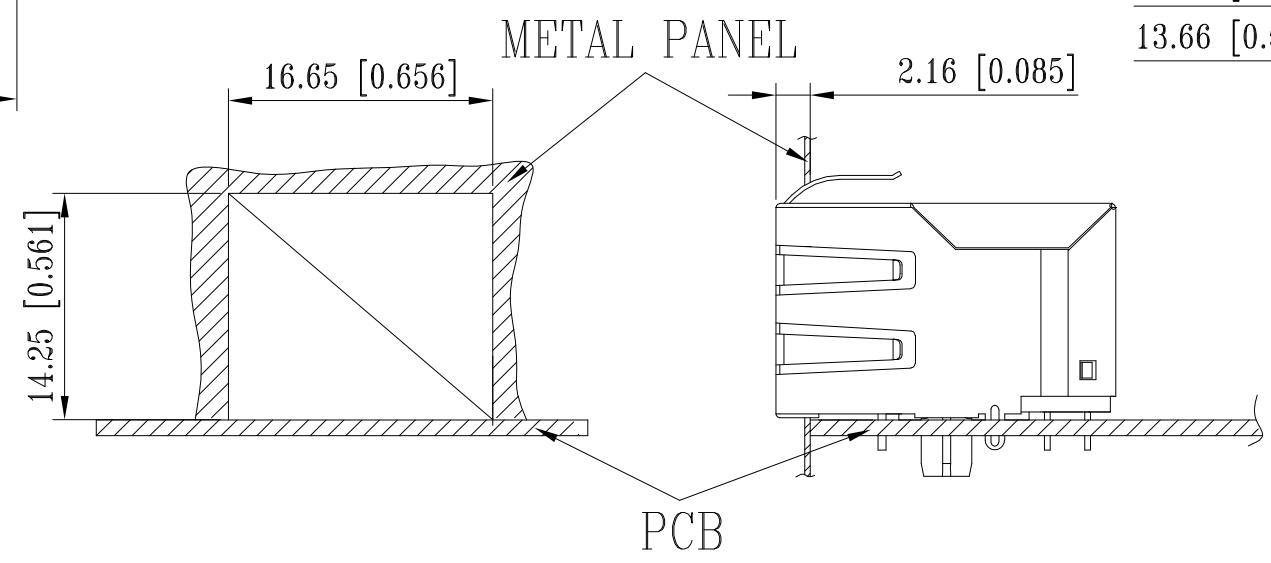
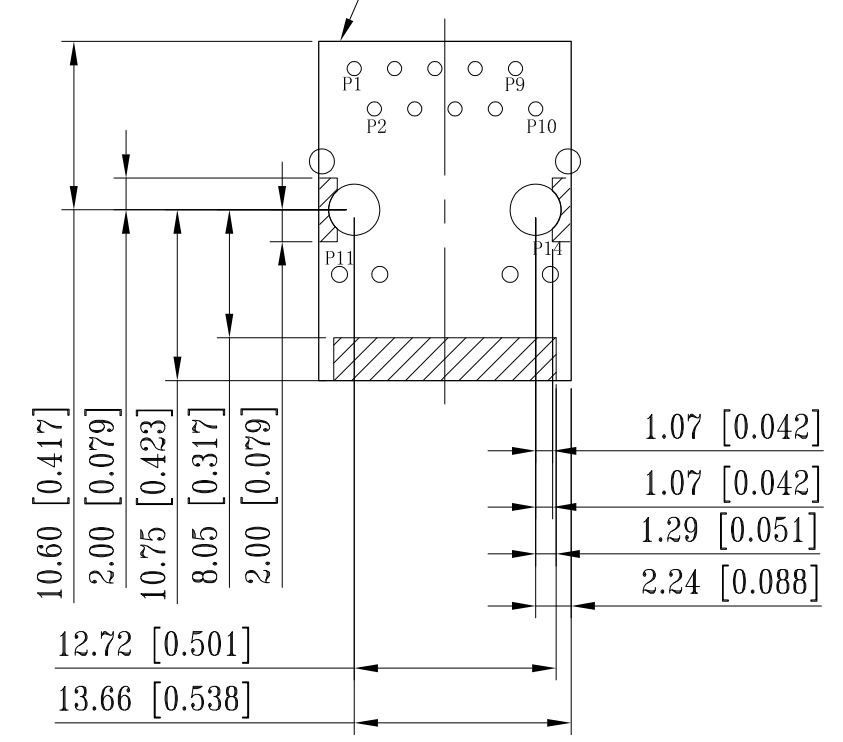
THIS DRAWING IS UNPUBLISHED. RELEASED FOR PUBLICATION - ,2017.
 © COPYRIGHT 2013 By TE CONNECTIVITY ALL RIGHTS RESERVED.

REVISIONS				
P	LTR	DESCRIPTION	DATE	APVD
-	-	SEE SHEET 1	-	-


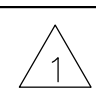
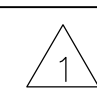
SUGGESTED PCB LAYOUT



Connector Boundary



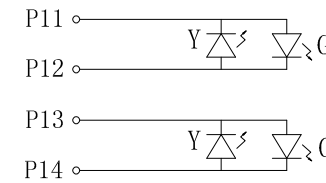
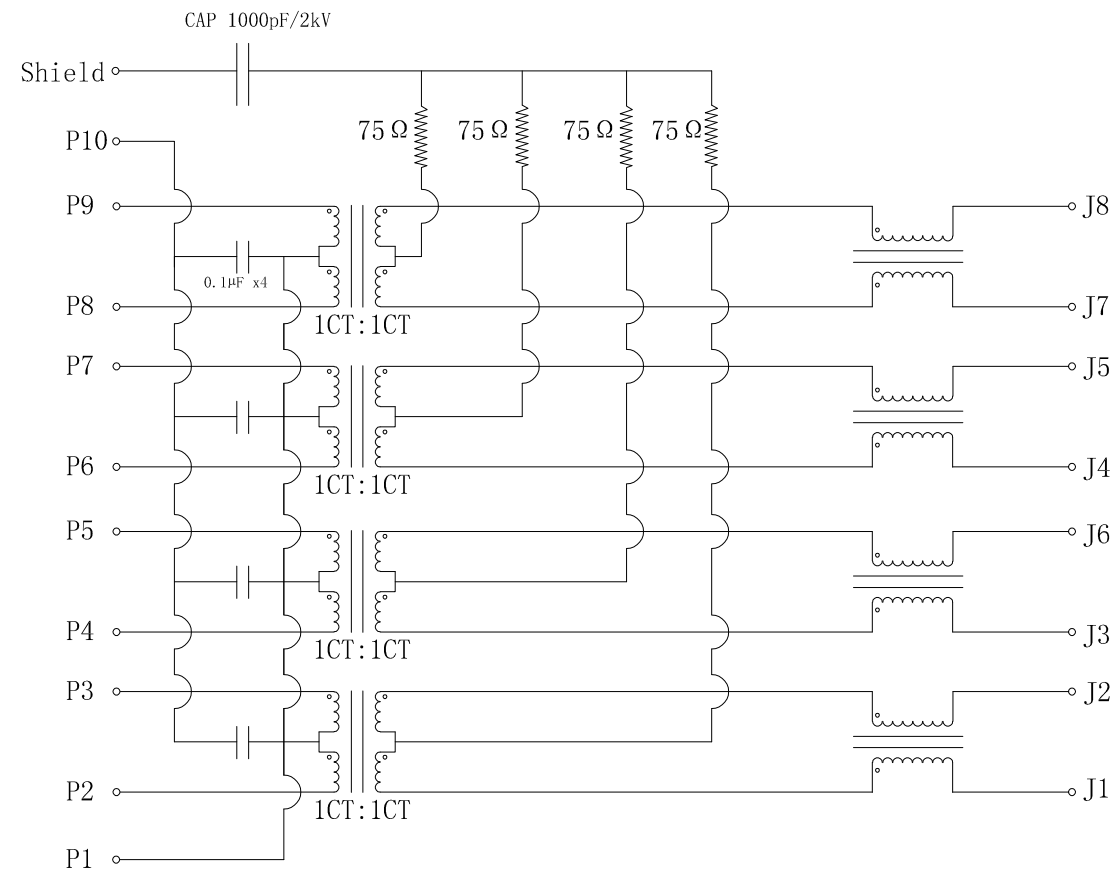
UNIT: mm / inch
 TOLERANCES: ±0.10 / 0.004

THIS DRAWING IS A CONTROLLED DOCUMENT.		DWN GANESH C M 27AUG2016	 TE Connectivity	
DIMENSIONS: mm [INCHES]		CHK FRANZ MUELLER 27AUG2016		
TOLERANCES UNLESS OTHERWISE SPECIFIED:		APVD MARTIN SZELAG 27AUG2016	NAME RJ45 JACK INT.MAG. 1Gb LED 1x1	
0 PLC ± - 1 PLC ± - 2 PLC ± - 3 PLC ± - 4 PLC ± - ANGLES ± -		PRODUCT SPEC 108-94552	RESTRICTED TO	
MATERIAL		APPLICATION SPEC 114-94447	SIZE A3	CAGE CODE 00779
FINISH		WEIGHT	DRAWING NO C-6-2301994-2	
		CUSTOMER DRAWING		SCALE 3:1
		SHEET 2 OF 3		REV A1

REVISIONS

P	LTR	DESCRIPTION	DATE	DWN	APVD
-	-	SEE SHEET 1	-	-	-

ELECTRICAL CIRCUIT DIAGRAM



Pin	Green	Yellow	Pin	Green	Yellow
P11	+	-	P13	+	-
P12	-	+	P14	-	+

- 1.0 Turn Ratio @100kHz: (P2~P3):(J1~J2) = 1:1±2%
(P4~P5):(J3~J6) = 1:1±2%
(P6~P7):(J4~J5) = 1:1±2%
(P8~P9):(J7~J8) = 1:1±2%
- 2.0 Primary Inductance: 350µH MIN. @100kHz, 0.1V 8mA DC BIAS
- 3.0 DC Resistance: 1.2 OHMS MAX.
- 4.0 Insertion Loss: 1-100MHz -1.0dB MAX.
100-125MHz -1.2dB MAX.
- 5.0 Return Loss: 1-40MHz -16dB MIN.
40-60MHz -12dB MIN.
60-80MHz -10dB MIN.
80-100MHz -8dB MIN.
- 6.0 CROSS TALK: 1-100MHz -30dB MIN.
- 7.0 COMMON TO COMMON MODE ATTENUATION: 1-100MHz -30dB MIN.
- 8.0 Isolation: PHY Side to Line Side : 2250VDC

6-2301994-2
WWYY-xxxx

TE

FCC

CONTROL CODE
DATE CODE
"0213"

YY-YEAR
WW-WEEK

THIS DRAWING IS A CONTROLLED DOCUMENT.		DWN 27AUG2016 GANESH C M	TE Connectivity RJ45 JACK INT.MAG. 1Gb LED 1x1		
DIMENSIONS: mm [INCHES]		CHK 27AUG2016 FRANZ MUELLER			
TOLERANCES UNLESS OTHERWISE SPECIFIED:		APVD 27AUG2016 MARTIN SZELAG	NAME		
0 PLC ± - 1 PLC ± - 2 PLC ± - 3 PLC ± - 4 PLC ± - ANGLES ± -		PRODUCT SPEC 108-94552	SIZE		
MATERIAL		APPLICATION SPEC 114-94447	CAGE CODE	DRAWING NO	RESTRICTED TO
FINISH		WEIGHT	A3	00779	C-6-2301994-2
CUSTOMER DRAWING			SCALE	SHEET	REV
			3:1	3 OF 3	A1