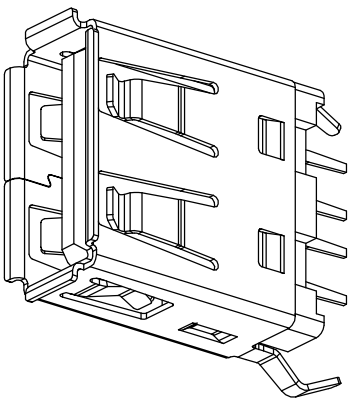
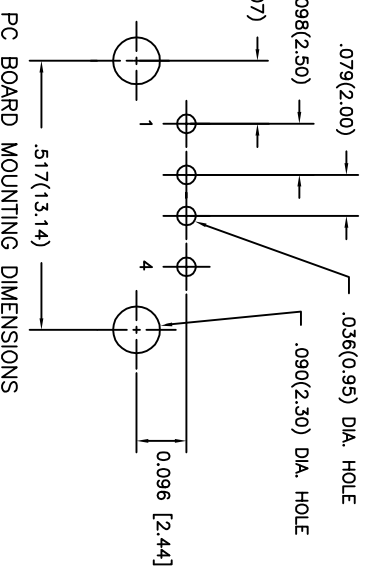


GENERAL TOLERANCES: ±0.10(0.25) EXCEPT ON PCB LAYOUT AND CONTACTS SPACING ±.006(0.15)



ELECTRICAL:

RATED CURRENT: 1.5A

RATED VOLTAGE: 30V (rms) MAX

FORCES:

MATING FORCE: 35N MAX

UNMATING FORCE: 10N MIN

MATERIALS:

SHELL: COPPER ALLOY, NICKEL PLATED

CONTACTS: COPPER ALLOY GOLD PLATE ON CONTACT AREA

TIN ON TAIL END

GOLD FLASH

30 MICRONS OF GOLD 260 CONTACT CODE

INSULATOR: THERMOPLASTIC (HIGH TEMPERATURE RESISTANCE)

PART NUMBER: 690-004-260-013

CONTACT CODE

ISSUE NUMBER	REDRAWN AND PIN# ADDED ON BOARD LAY OUT
④	N.SONDH DEC.09/08
⑤	RE-DWG. F.BRIONES APR.22/08
⑥	RE-DWG. F.BRIONES SEP.14/08
⑦	REMOVE 15u" GOLD R.STAMONICA JUN.29/10
⑧	TAILS DIM'S ADDED F.BRIONES JUN.22/11
⑨	TOLERANCES ADDED F.BRIONES JUN.29/11
⑩	ADD NOTES FORCES R.STAMONICA JUN.26/14
⑪	NEW METAL SHELL R.STAMONICA SEPT.12/14
⑫	ADD ELEC. SPECS R.STAMONICA APR.11/2016

USB CONNECTOR A TYPE, VERTICAL, SINGLE DECK

EDAC INC
TORONTO, ONTARIO
CANADA

THESE DRAWINGS AND SPECIFICATIONS ARE THE PROPERTY OF EDAC INC AND SHALL NOT BE REPRODUCED OR COPIED OR USED AS THE BASIS FOR THE MANUFACTURE OR SALE OF APPARATUS WITHOUT WRITTEN PERMISSION.

ACAD REFERENCE NO. 690-004-260-013	DATE: OCT 16/98
DRAWN: J.CHOW	DATE:
CHECKED:	SHEET 1 OF 1
SCALE: (IN C.A.D. 1:1)	ISSUE
DRAWING NUMBER 690-004-260-013	12



THIS SERIES FULLY CONFORMS TO THE EUROPEAN UNION DIRECTIVES 2011/65/EU FOR ROHS COMPLIANCY.