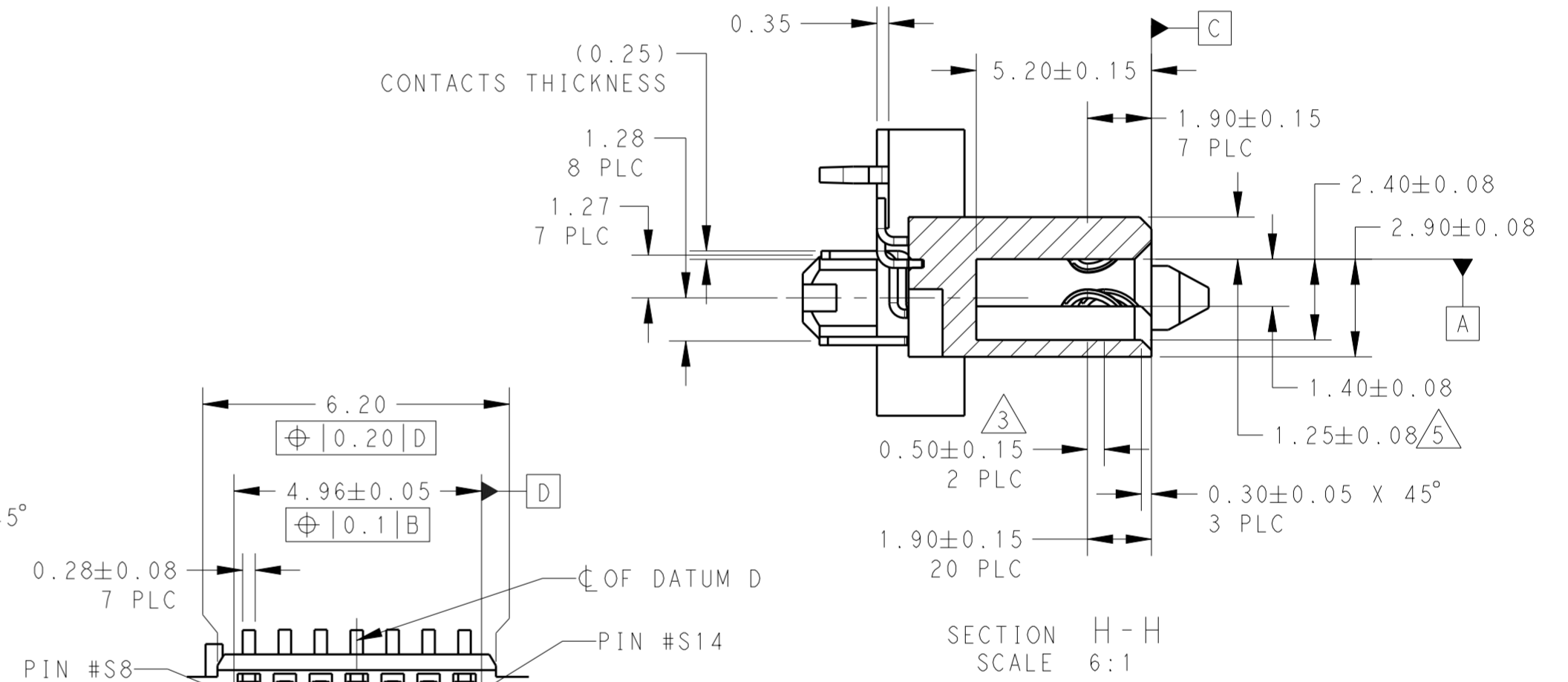
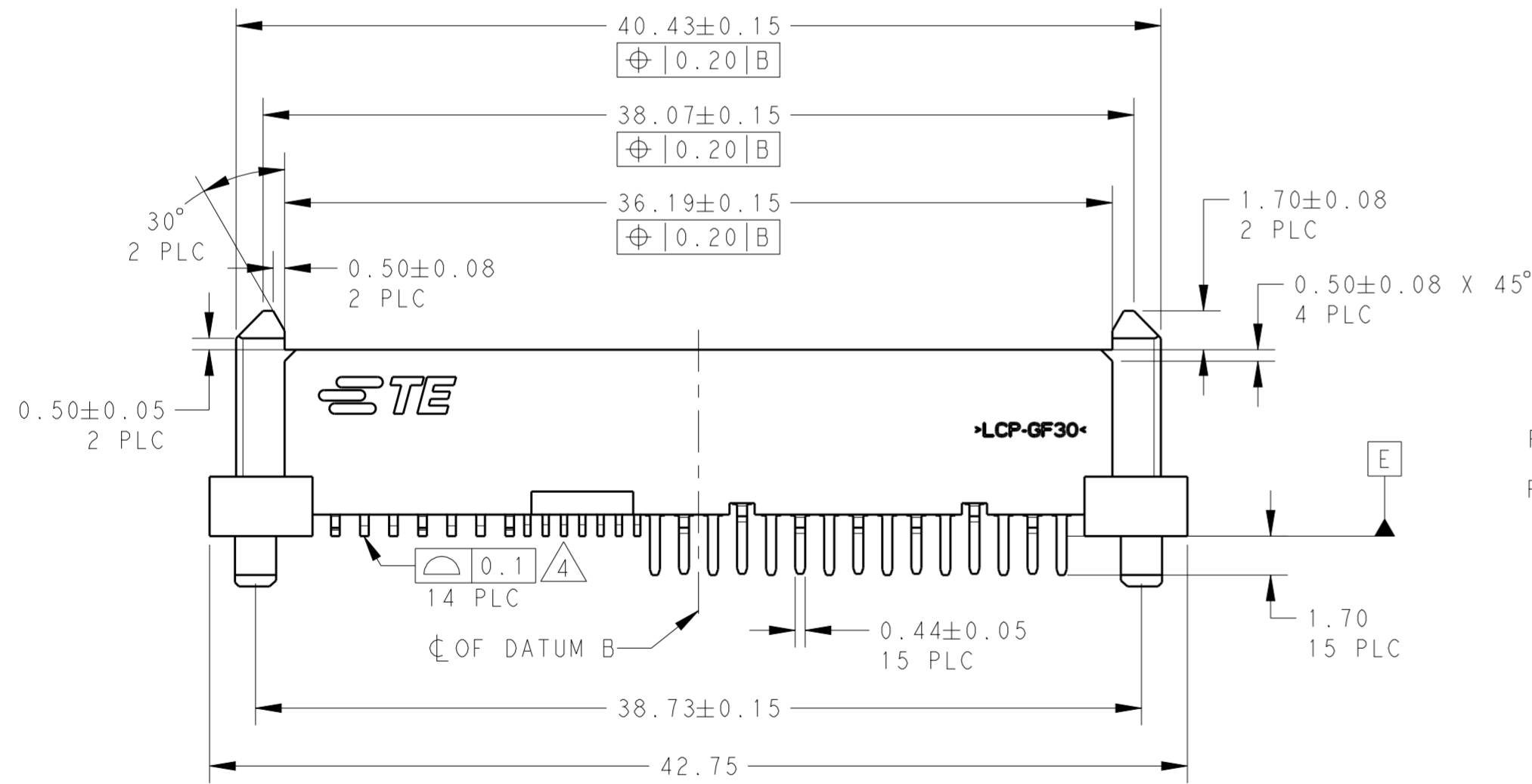
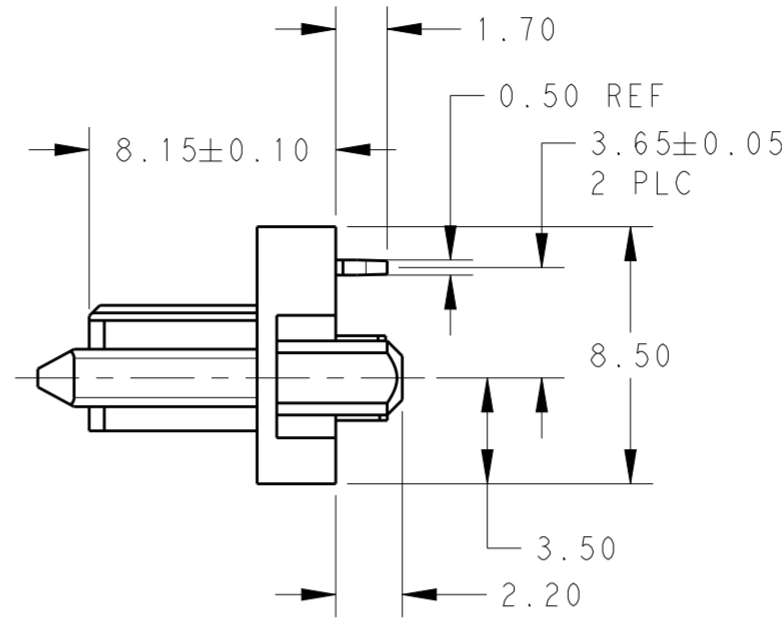
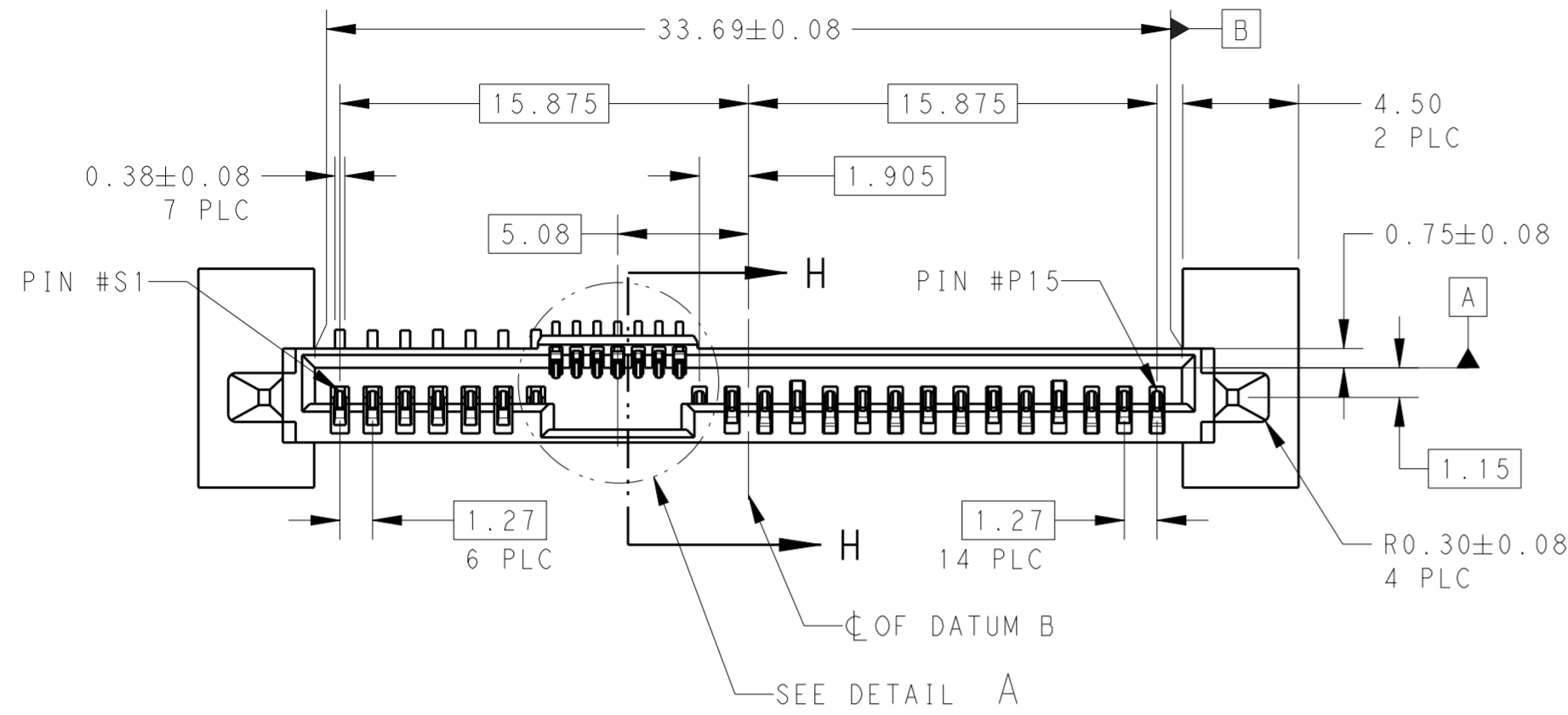


THIS DRAWING IS UNPUBLISHED. RELEASED FOR PUBLICATION
 © COPYRIGHT ALL RIGHTS RESERVED.

LOC		DIST		REVISIONS			
P	LTR	DESCRIPTION	DATE	DWN	APVD		
	A	RELEASED FOR PRODUCTION	07MAR2016	TX	SH		
			10OCT2013	TX	AC		

NOTES:

- 1 MATERIAL:
HOUSING: HIGH TEMP THERMOPLASTIC, UL94V-0,
COLOR: BLACK
CONTACT: COPPER ALLOY
BOARDLOCK: COPPER ALLOY
- 2 FINISH:
CONTACT AREA: MIN 0.76µm GOLD PLATING
SOLDERTAIL: MIN 2.54µm MATTE TIN PLATING
UNDERPLATE: MIN 1.27µm NICKEL PLATING
- 3 PIN #P4 AND PIN #P12 ONLY
- 4 SOLDERTAIL TO BE WITHIN 0.05MAX ABOVE AND 0.10MAX BELOW DATUM E
- 5 1.33 MAX MEASURED AT DATUM C



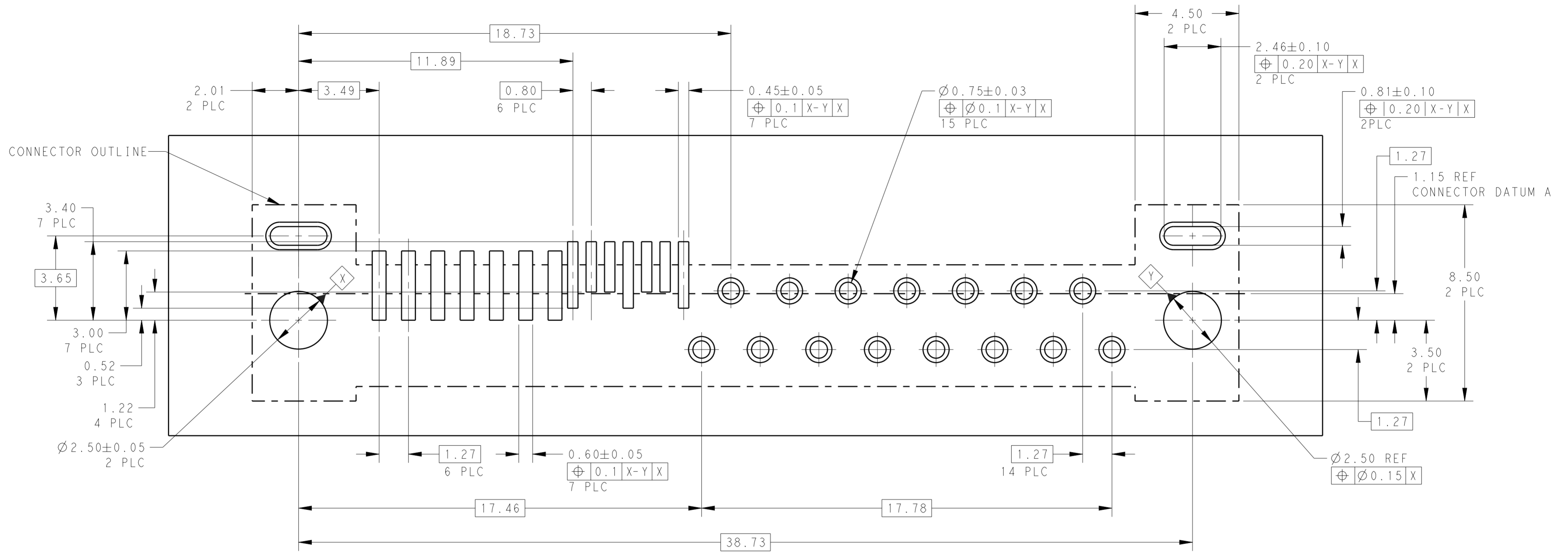
DETAIL A
SCALE 8:1

TAPE & REEL WITH PICKUP CAP	2170506-1
PACKAGING	PART NUMBER

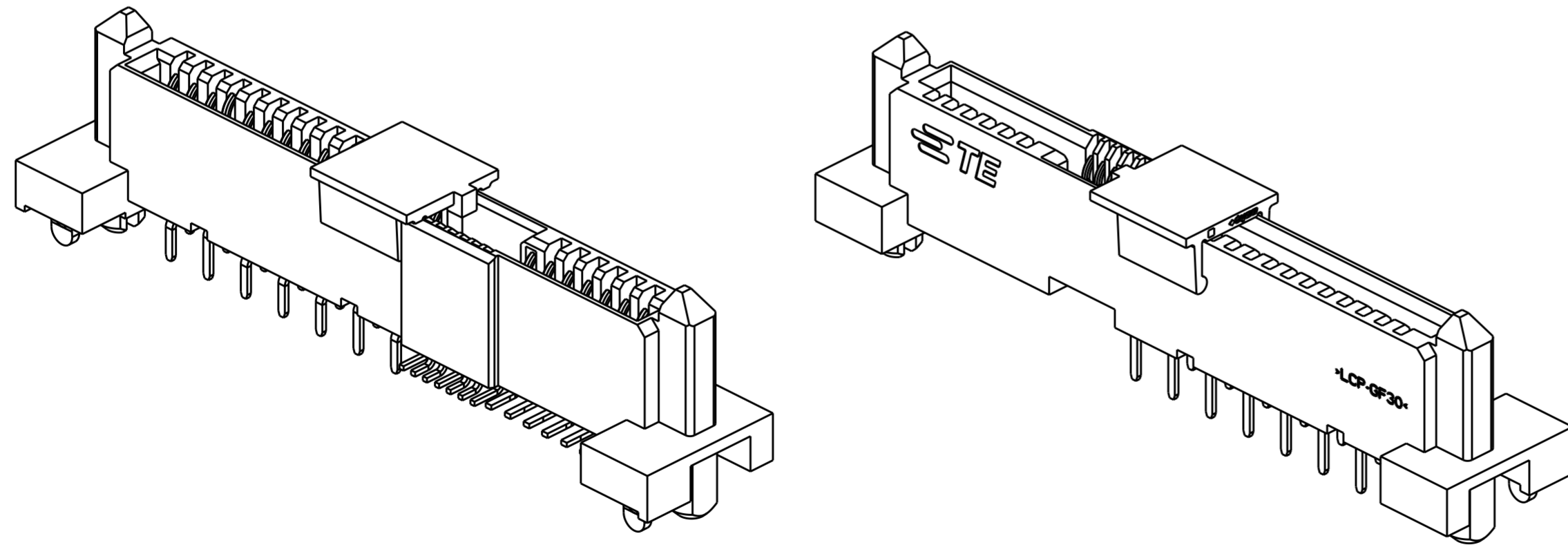
THIS DRAWING IS A CONTROLLED DOCUMENT.		DWN TIM XUE 13MAR2013	TE Connectivity	
DIMENSIONS: mm		CHK ALEX CAI 13MAR2013		
TOLERANCES UNLESS OTHERWISE SPECIFIED:		APVD ALEX CAI 13MAR2013	NAME SAS-3 (12Gbps)SFF-8680 RECEPTACLE DUAL PORT, WITH METAL RETENTION BLADE HYBRID (TH/SMT) FOOTPRINT, 15P+7P+7P	
0 PLC ±0.2		PRODUCT SPEC	SIZE	
1 PLC ±0.2		108-51109	CAGE CODE	
2 PLC ±0.2		APPLICATION SPEC	DRAWING NO	
3 PLC ±0.2		114-60017	RESTRICTED TO	
4 PLC ±0.2		WEIGHT	A200779 C-2170506	
ANGLES ±3°		CUSTOMER DRAWING	SCALE 4:1 SHEET 1 OF 2 REV A	
FINISH				

THIS DRAWING IS UNPUBLISHED. RELEASED FOR PUBLICATION
 © COPYRIGHT ALL RIGHTS RESERVED.

LOC		DIST		REVISIONS			
P	LTR	DESCRIPTION		DATE	DWN	APVD	
-	-	SEE SHEET 1		-	-	-	



RECOMMENDED RECEPTACLE BOARD LAYOUT
 SCALE 8:1



P/N: 2170506-1 WITH CAP AS SHOWN

THIS DRAWING IS A CONTROLLED DOCUMENT.		DWN	TIM XUE	13MAR2013	TE Connectivity
DIMENSIONS:		CHK	ALEX CAI	13MAR2013	
mm		APVD	ALEX CAI	13MAR2013	
		PRODUCT SPEC	108-51109	NAME	
TOLERANCES UNLESS OTHERWISE SPECIFIED:		APPLICATION SPEC	114-60017	SIZE	A2
0 PLC ±0.2 1 PLC ±0.2 2 PLC ±0.2 3 PLC ±0.2 4 PLC ±0.2 ANGLES ±3° FINISH		WEIGHT	-	CAGE CODE	A200779
MATERIAL		CUSTOMER DRAWING		DRAWING NO	C-2170506
		SCALE 2:1		SHEET 2 OF 2	REV A